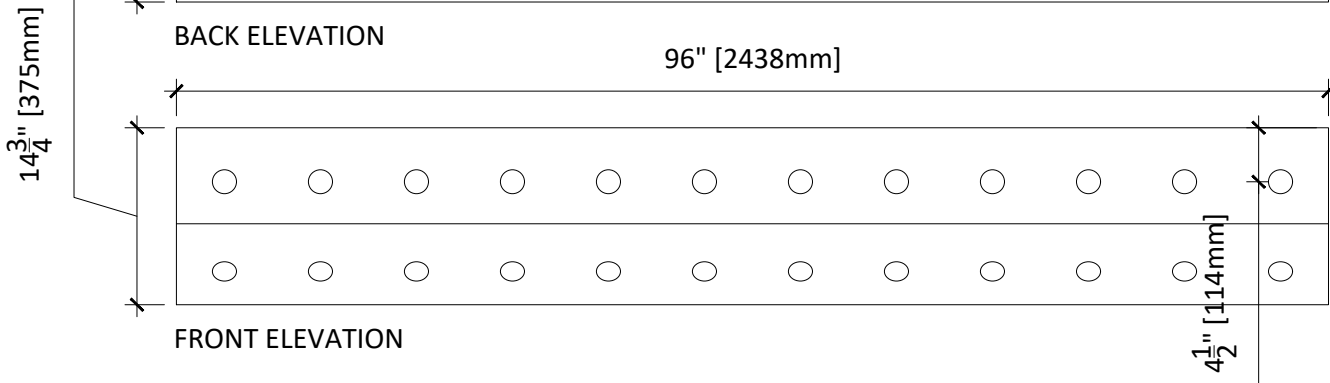
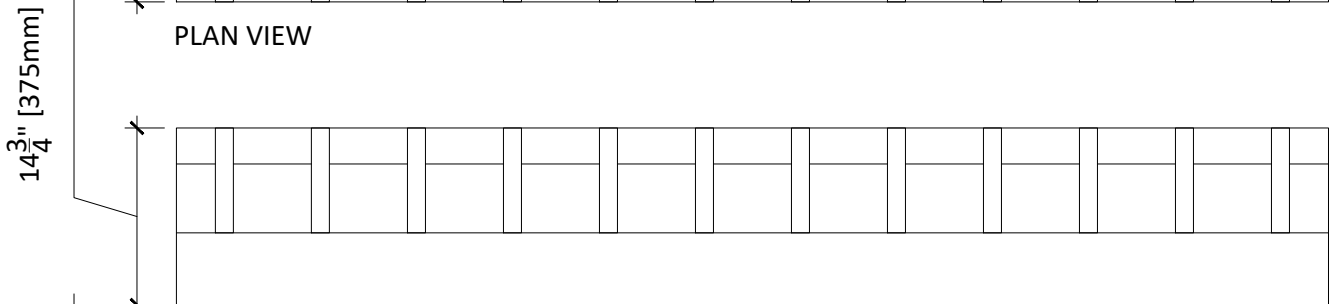
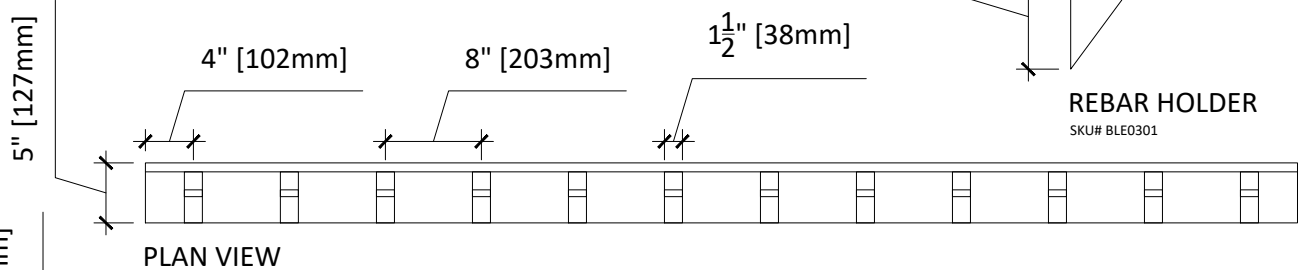
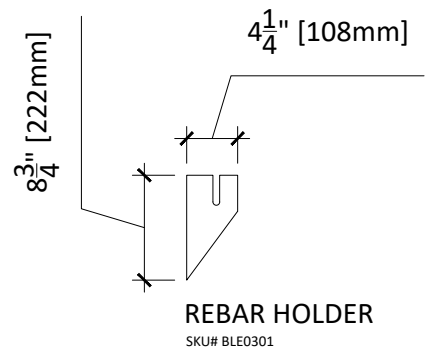
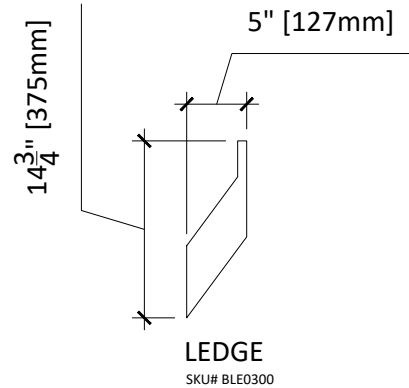


4 1/2" [114mm]

6" SIPLD #2 SCREW
SKU# ACC0237
WITH 2" DURADRIE
PLASTIC WASHERS
SKU# ACC0240

4" SIPLD #2 SCREW
SKU# ACC0236
WITH 2" DURADRIE
PLASTIC WASHERS
SKU# ACC0240



AMVIC™ ICF - R30 BRICK LEDGE EXTENSION



1(877) 470-9991 alleguard.com