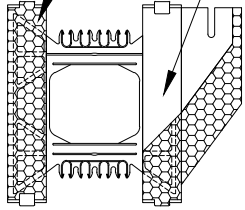
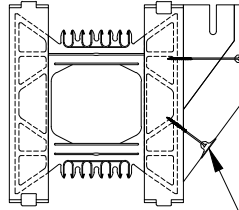


AMVIC ICF STRAIGHT BLOCK

CUT FOAM



SECTION DETAIL



FASTENING DETAIL

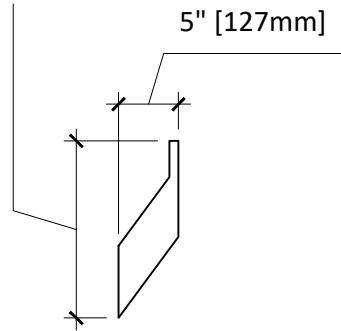
4 1/2" [114mm]

6" SIPLD #2 SCREW  
SKU# ACC0237  
WITH 2" DURADRIE  
PLASTIC WASHERS  
SKU# ACC0240

4" SIPLD #2 SCREW  
SKU# ACC0236  
WITH 2" DURADRIE  
PLASTIC WASHERS  
SKU# ACC0240

14 3/4" [375mm]

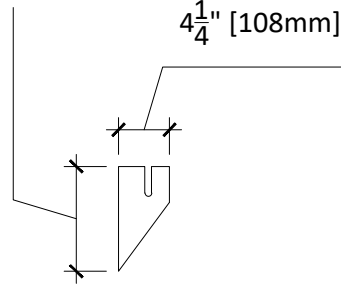
5" [127mm]



LEGE  
SKU# BLE0300

8 3/4" [222mm]

4 1/4" [108mm]



REBAR HOLDER  
SKU# BLE0301

5" [127mm]

3" [76mm]

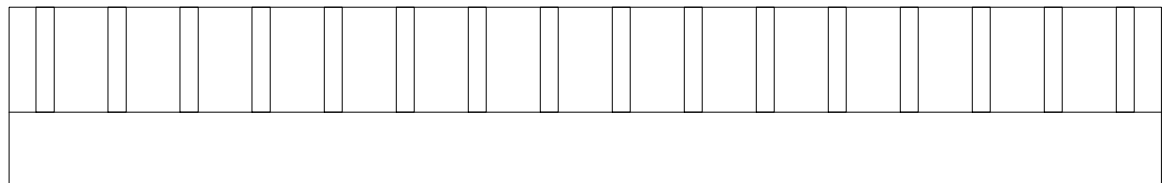
6" [152mm]

1 1/2" [38mm]



PLAN VIEW

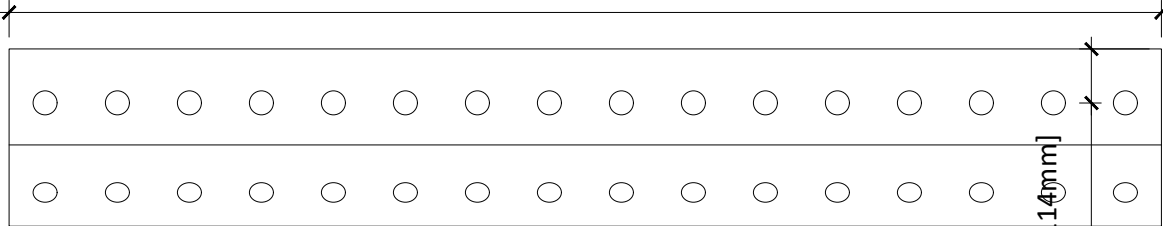
14 3/4" [375mm]



BACK ELEVATION

14 3/4" [375mm]

96" [2438mm]



FRONT ELEVATION

4 1/2" [114mm]

# AMVIC™ ICF - R22 BRICK LEGE EXTENSION



1(877) 470-9991 [alleguard.com](http://alleguard.com)