

Amdeck Pro Floor & Roof System



Amdeck Pro is a modular, stay in place formwork manufactured using Type II/Type 2, closed cell Expanded Polystyrene (EPS) with embedded polypropylene webs for added support during construction.

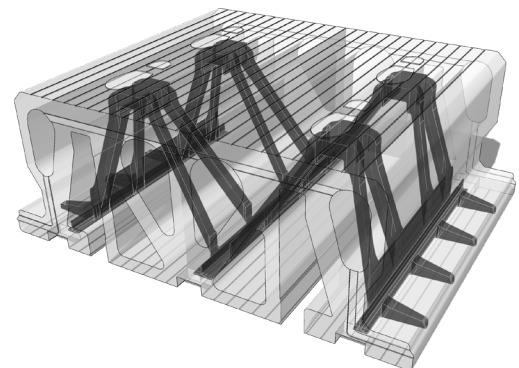
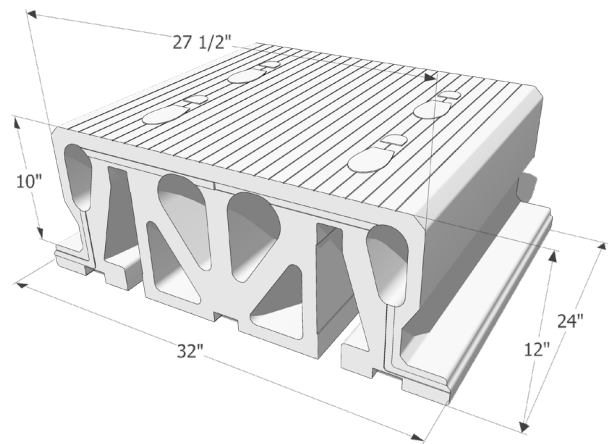
It allows for the construction of one-way, reinforced concrete slabs with an integrated joists system that gives design flexibility to maximize the clear spans and potentially reduce temporary shoring.

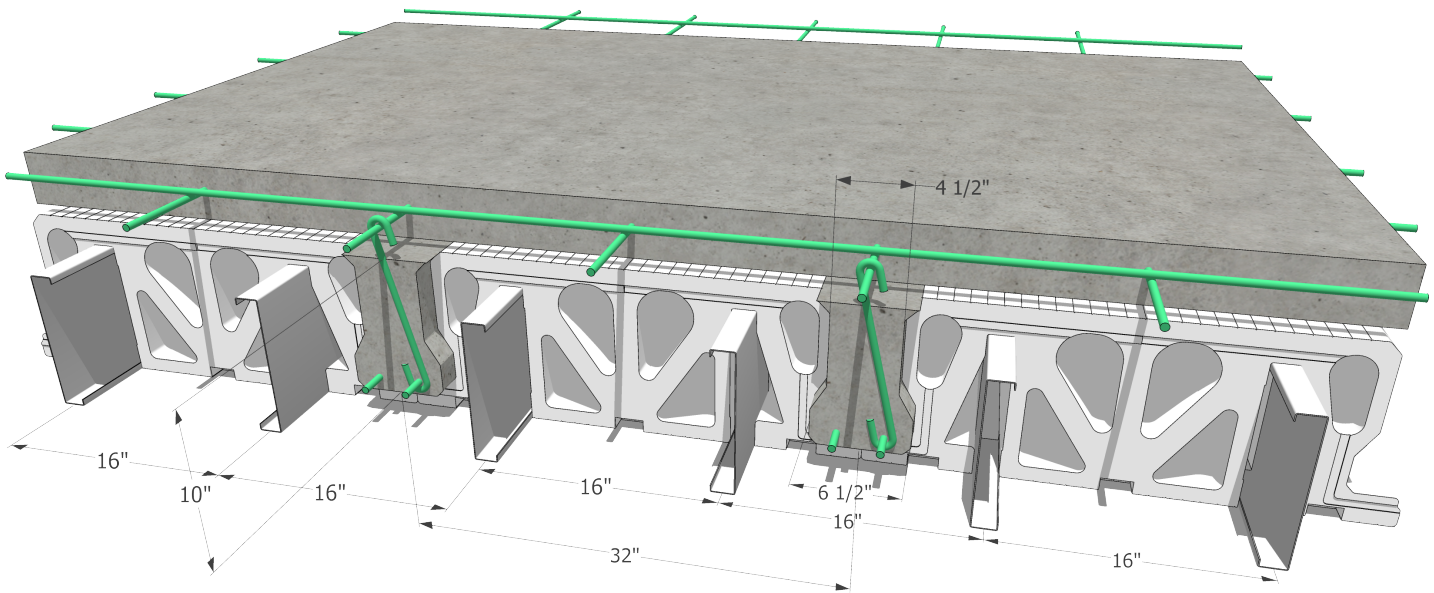
Amdeck Pro incorporates full length 10" (254mm) lightweight steel C-channel joists (16, 14 and 12 gauge) to support temporary construction loads, utilizing an appropriate shoring system.

It can be used for floors and roofs (both horizontal and sloped configurations) with typical finished unsupported clear spans up to 30' (9.1m). It is perfectly suited for use with ICF walls or independently with other wall types.

The combination of reinforced concrete slab with Amdeck Pro achieves R19 (RSI 3.35), FIIC rating of 30 and ASTC rating of 47+.

QAI Listing B1061-2





Alleguard Advantage

Reduced Shoring Requirements

Amdeck Pro implements lightweight steel joists supporting temporary construction loads until the poured concrete gains its specified strength. As a result, shoring can be placed up to 15' (4.6m) on center, (depending on topping slab thickness and allowable deflection tolerances) which substantially reduces shoring requirements and overall construction costs when compared to competing products.

Small Compact Units

Amdeck Pro comes in standardized, small, lightweight modular units, which make the system easier to handle and use. The modular units are assembled on-site to construct the floor or roof span in an easy and fast manner. Amdeck Pro forms can also be easily cut from all directions to fit a specific span or width, making for an extremely flexible system.

Structure

One-way concrete slab joists which are formed by Amdeck Pro can span up to 30' (9.1m) using normal concrete mixes and conventional reinforcing steel. Spans of greater than 30' (9.1m) can be achieved. Slab and shoring requirements are site specific and designed by a licensed professional.

Reduced Costs

Amdeck Pro is a fully reversible system which reduces labor costs, installation time, allows for multiple installation teams and minimizes material wastage. In addition, Amdeck Pro is a "finish ready" system that requires no additional furring strips, saving both time and money.

Applications

- Floors
- Car garage floors
- Flat or sloped roofs
- Green Roofs
- Safe rooms
- First floor in high risk flood areas
- High wind/hurricane areas
- All construction sectors, residential, commercial and institutional
- Balconies and cantilevers
- Cold cellars

C-Channel Joists

Steel C-Channel joists used with Amdeck Pro are to be outsourced, and must comply to the following dimensions:

Part ¹	Gauge	Web Depth	Flange Width	Lip Length
100-S162-54	16	10" (254mm)	1 5/8" (41mm)	1/2" (13mm)
100-S162-68	14	10" (254mm)	1 5/8" (41mm)	1/2" (13mm)
100-S162-97	12	10" (254mm)	1 5/8" (41mm)	1/2" (13mm)

¹ Steel C-Channel Part type are to be used in accordance to a given projects design parameters

